

PA PINCH VALVE DN 25 - 300 (DN 1" - 12")

The PA model pinch valve is a heavy-duty enclosed construction full bore valve that employs elastomer sleeves for flow shut-off and control in applications with abrasive and corrosive slurries. The sleeve is the only part in contact with the media, no other mechanical parts are required, and it is a maintenance free part. The PA sleeve design eliminates dead spots where slurry can build up.

Product description:

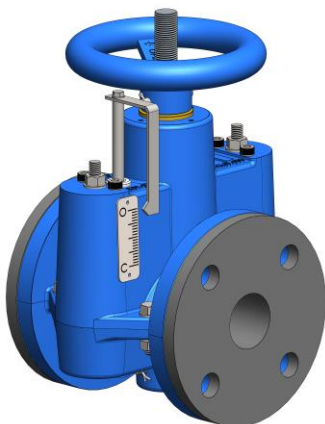
- Enclosed body, bi-directional pinch valve
- Clog resistant 100% full-bore
- Heavy duty sleeve
- Size range from DN 25-300 (DN 1"-12")
- Standard flange connections: EN1092-1 PN10 and ANSI B16.5 (class 150)
- Actuation: Manual, Pneumatic.
Electric actuator & other options upon request

Features:

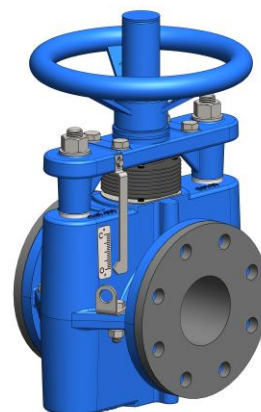
- Single pinch closing mechanism from DN 25 to DN50 (DN 1" to 2")
Double pinch closing mechanism from DN 65 to 300 (DN 2,5" to 12")
- Sleeve support during opening and closing allows the valve to operate under vacuum conditions
- Easy and quick sleeve replacement. No special tooling needed. Maintenance can be carried out on site
- No head loss
- No packing to maintain
- Body material: ductile iron as standard
- Sleeve material: Natural Rubber and EPDM, other materials available upon request
- RAL-5015 blue epoxy coating on all cast iron / carbon steel components
- Accessories: limit or proximity switches, positioners, solenoid valves, manual overrides, fail safe systems
- Face-to-face as per ANSI B16.10 up to DN 150 (6"), same as B16.10 (class 150) plug/ball/gate valve



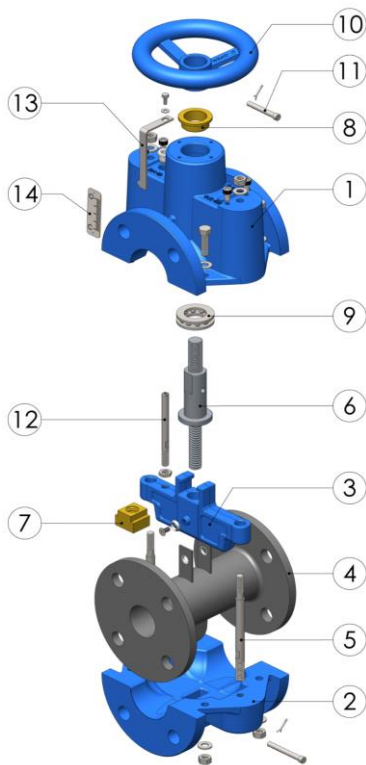
DN 25 - 50 (DN 1" - 2")



DN 65 - 300 (DN 2,5" - 12")

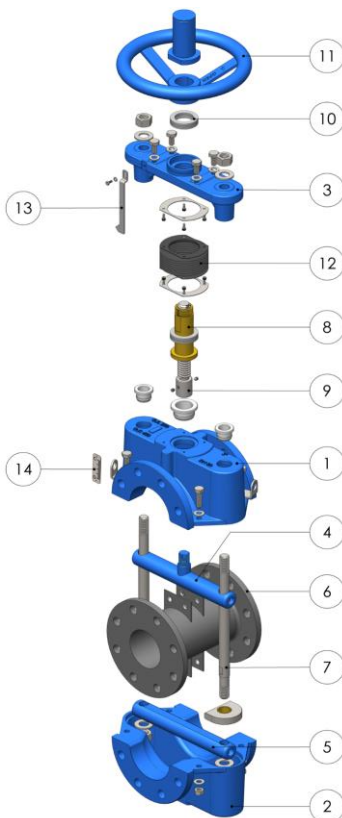


PA PINCH VALVE DN 25 - 300 (DN 1" - 12")



STANDARD PARTS LIST FOR DN 25 - DN 50 (DN 1" - 2")

Part	Materials
1 Upper body	Ductile iron (EN GJS 400-15)
2 Lower body	Ductile iron (EN GJS 400-15)
3 Pinch bar	ASTM A216 GR. WCB
4 Sleeve	Natural rubber
5 Tie rod	SS 430F
6 Stem	SS 430F
7 Stem nut	Aluminium bronze
8 Stem guidebush	Aluminium bronze
9 Thrust bearing	Mfg Std.,
10 Hand wheel	Carbon steel
11 Hand Wheel pin	SS 430F
12 Indicator rod	SS 430F
13 Indicator marker	SS 304
14 Indicator scale	SS 304



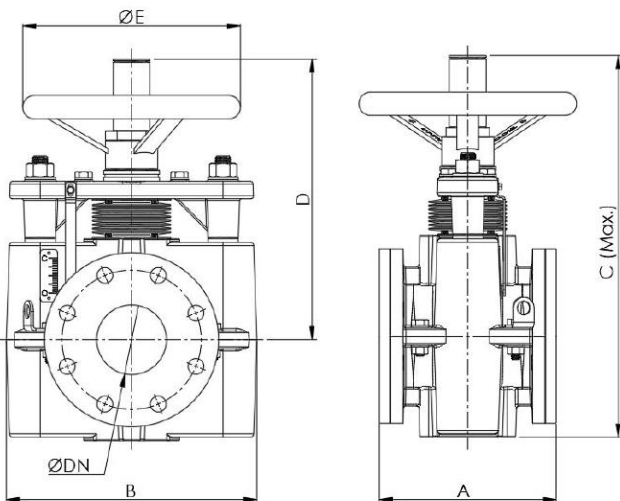
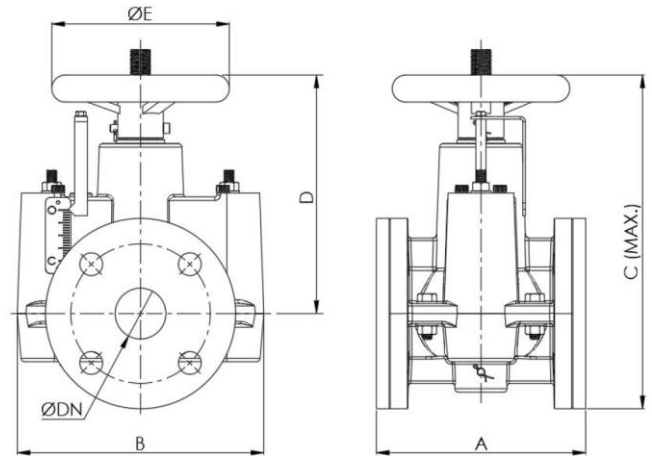
STANDARD PARTS LIST FOR DN 65 - 300 (DN 2,5" - 12")

Part	Materials
1 Upper body	Ductile iron (EN GJS 400-15)
2 Lower body	Ductile iron (EN GJS 400-15)
3 Support	Ductile iron (EN GJS 400-15)
4 Upper pinch bar	Carbon steel A106 Gr. B
5 Lower pinch bar	Carbon steel A106 Gr. B
6 Sleeve	Natural rubber
7 Tie rod	SS 430F
8 Stem nut	Aluminium bronze
9 Lead screw	SS 430F
10 Thrust bearing	Mfg Std.,
11 Hand wheel	Carbon steel
12 Bellow	Rexine fabric
13 Indicator marker	SS 304
14 Indicator scale	SS 304

PA PINCH VALVE DN 25 - 300 (DN 1" - 12")

DIMENSIONS (mm) Handwheel

DN	Working pressure	A	B	C	D	ØE	Weight (kg.)
25	10 bar	140	135	220	160	140	6
40	10 bar	165	195	265	190	140	12
50	10 bar	178	235	335	250	250	17



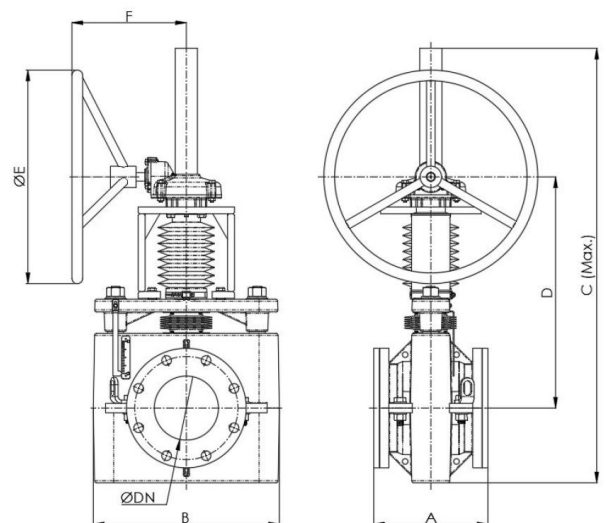
DIMENSIONS (mm) Handwheel

DN	Working pressure	A	B	C	D	ØE	Weight (kg.)
65	10 bar	190	285	380	290	250	27
80	10 bar	203	290	490	375	250	31
100	10 bar	229	330	580	450	355	45
125	10 bar	254	390	670	510	355	65

DIMENSIONS (mm) Bevel gear

DN	Working pressure	A	B	C	D	ØE	F	Weight (kg.)
150	10 bar	267	435	1030	645	500	280	100
200	8,5 bar	406	565	1280	800	500	280	170
250	7 bar	508	755	1400	820	500	280	265
300	6 bar	610	795	1645	910	400	270	345

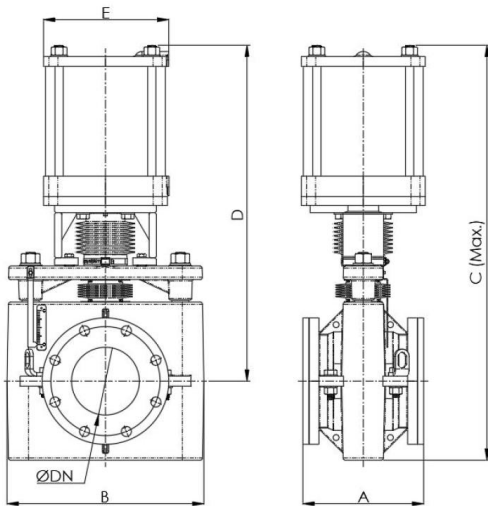
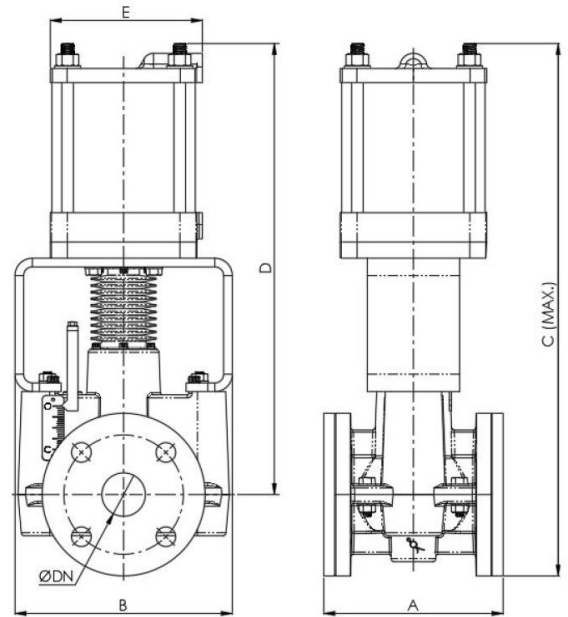
Bevel gear actuator advisable for full design pressure



PA PINCH VALVE DN 25 - 300 (DN 1" - 12")

DIMENSIONS (mm) Pneumatic Actuator (D/A)

DN	Working pressure	A	B	C	D	E	Weight (kg.)
25	10 bar	140	140	415	355	115	10
40	10 bar	165	200	505	430	140	16
50	10 bar	178	240	555	475	140	21



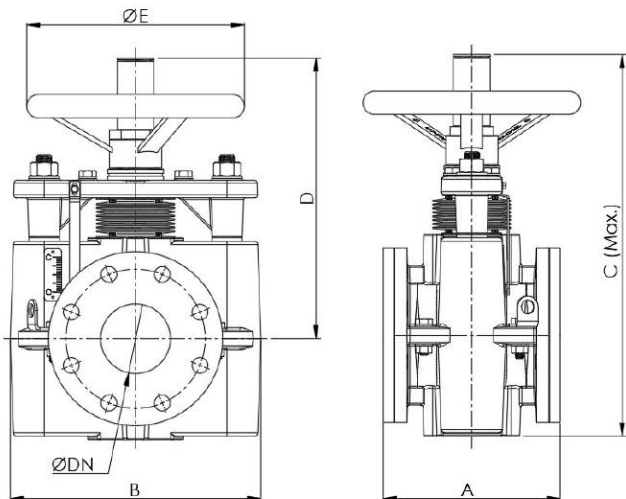
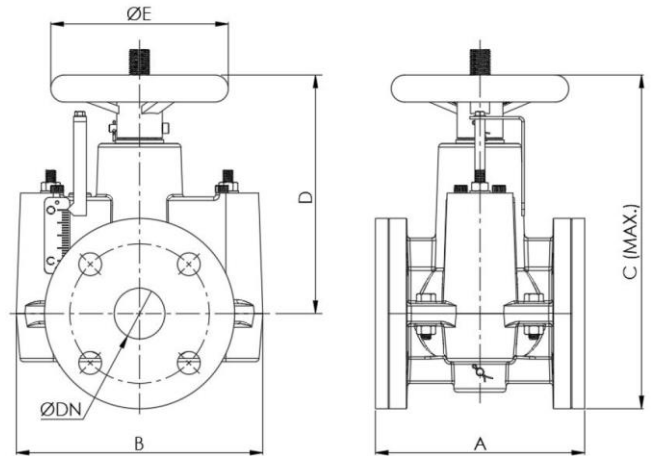
DIMENSIONS (mm) Pneumatic Actuator (D/A)

DN	Working pressure	A	B	C	D	E	Weight (kg.)
65	10 bar	190	305	635	545	175	45
80	10 bar	203	290	735	620	175	50
100	10 bar	229	330	805	675	220	64
125	10 bar	254	390	950	790	277	100
150	10 bar	267	435	1020	845	277	120
200	8.5 bar	406	565	1225	1005	335	205
250	7 bar	508	755	1490	1220	390	340
300	6 bar	610	795	1630	1330	390	420

PA PINCH VALVE DN 25 - 300 (DN 1" - 12")

DIMENSIONS (inch) Handwheel

DN	Working pressure	A	B	C	D	ØE	Weight (lbs)
1"	150 psi	5,5	5,3	8,7	6,3	5,5	13
1 ½"	150 psi	6,5	7,7	10,4	7,5	5,5	25
2"	150 psi	7	9,3	13,2	9,8	9,8	33

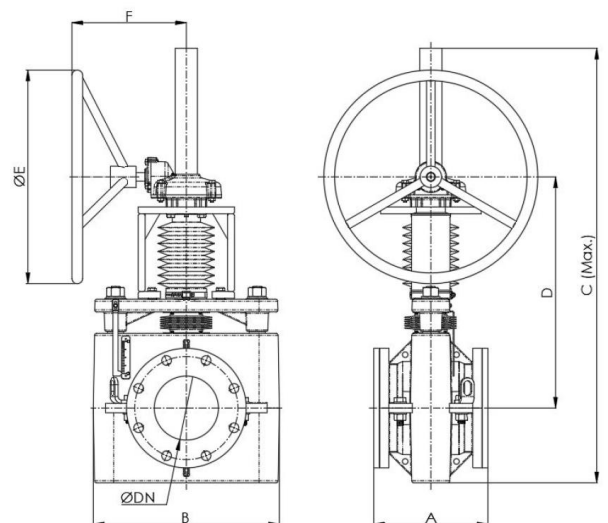


DIMENSIONS (inch) Handwheel

DN	Working pressure	A	B	C	D	ØE	Weight (lbs)
2 ½"	150 psi	7,5	11,2	15	11,4	9,8	49
3"	150 psi	8,00	11,4	19,3	14,8	9,8	66
4"	150 psi	9,00	13,0	22,8	17,7	14,0	90
5"	150 psi	10,00	15,4	26,4	20,1	14,0	132

DIMENSIONS (inch) Bevel gear

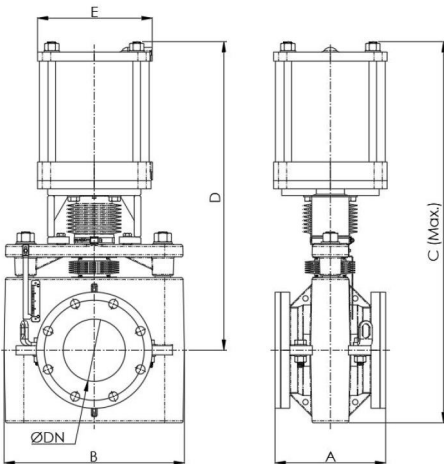
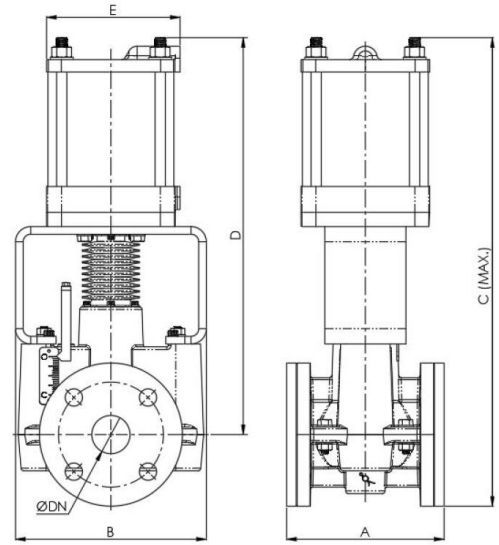
DN	Working pressure	A	B	C	D	ØE	F	Weight (lbs)
6"	150 psi	10,5	17,1	40,6	25,4	19,7	11,0	254
8"	125 psi	16,0	22,2	50,4	31,5	19,7	11,0	408
10"	100 psi	20,0	29,7	55,1	32,3	19,7	11,0	628
12"	87 psi	24,0	31,3	64,8	35,8	15,7	10,6	728



PA PINCH VALVE DN 25 - 300 (DN 1" - 12")

DIMENSIONS (inch) Pneumatic Actuator (D/A)

DN	Working pressure	A	B	C	D	E	Weight (lbs)
1"	150 psi	5,5	5,5	16,3	14,0	4,5	21
1 1/2"	150 psi	6,5	7,9	19,9	16,9	5,5	32
2"	150 psi	7	9,4	21,9	18,7	5,5	54



DIMENSIONS (inch) Pneumatic Actuator (D/A)

DN	Working pressure	A	B	C	D	E	Weight (lbs)
2 1/2"	150 psi	7,5	12,0	25,0	21,5	6,9	85
3"	150 psi	8,0	11,4	28,9	24,4	6,9	110
4"	150 psi	9,0	13,00	31,7	26,6	8,7	154
5"	150 psi	10,0	15,4	37,4	31,1	10,9	198
6"	150 psi	10,5	17,1	40,2	33,3	10,9	243
8"	125 psi	16,0	22,2	48,2	39,6	13,2	375
10"	100 psi	20,0	29,7	58,7	48,0	15,4	606
12"	87 psi	24,0	31,3	64,2	52,4	15,4	772