

INSTALLATION, OPERATION AND MAINTENANCE MANUAL

MP, Three lever valve with lineal cylinder

CONTENTS

1. DESCRIPTION	2
2. HANDLING	2
3. INSTALLATION	3
4. PNEUMATIC CYLINDER	5
4.1. Bevel Gear	5
4.2. Pneumatic	5
4.3. Electric actuator	5
5. MAINTENANCE	5
5.1. Replacement packing kit	6
5.2. Replacement of the seal (only for tight valves)	8
5.3. Replacement of the cylinder	8
5.4. Replacement of accessories	10
5.5. Greasing	10
6. STORAGE	10
7. ENVIRONMENTAL CONSIDERATIONS	10
8. DOCUMENTATION	11
9. COMPONENTS LIST	12

THIS VALVE INCLUDES A GENERAL DRAWING WITH A LIST OF MATERIALS OF THE VALVE SUPPLIED.

1. DESCRIPTION

The MP model is a general-purpose, unidirectional flanged valve for gaseous clean fluids such as atmospheric air, nitrogen, oxygen etc. and gaseous dirty fluids carrying suspended solids. For the latter application the valve has a register for both the build-up of solids and cleaning.

This is a valve which, due to its mechanical system of movement, offers several advantages compared to other butterfly valves. These advantages include the elimination of friction between the disc and the seat thus lengthening the valve's service life.

This model is mainly divided into 2 types: low pressure with values equivalent to 6 bar and high pressure, with pressures up to 40 bar. Likewise, as far as tightness is concerned, these valves are mainly constructed in 2 versions: soft seat and metal seated.

The valve complies with the following European directives:

- Machinery Directive

When applicable it can also comply with the following additional directives:

- Pressure Equipment Directive.
- Potentially Explosive Atmospheres (ATEX).

It is the user's liability to verify the maximum working conditions (PS, TS), medium (gas or liquid), dangerousness group (1 or 2) and if the fluid is unstable to properly classify the valve according to the Pressure Equipment Directive.

The valve may comply with other directives and certificates. ORBINOX offers, supplies and certifies valves according to the information received from the customer. The customer is liable to make sure this information is accurate and according to specific working conditions requirements where the valve will be installed.

2. HANDLING



SEE DRAWING 8260A2 (LIFTING LUGS)

Pay special attention to the following points when handling an Orbinox valve:

- **Use the lifting lugs** which all valves of this type have for moving and handling purposes.
- **Do not lift the valve by holding it by the stem or the actuator support plate.** The valve would go totally off balance, possibly be damaged and injure the personnel handling it.
- **Do not lift the valve by holding it by the bore or port.** This can cause damage to the surface of the seat, seals and the flange raised face.

SAFETY WARNING:

- Ensure that the crane, as well as the belts or slings used, are correctly set for lifting the weight of the valve.

These valves have support legs to prevent them from rolling while being tested or handled. These legs cannot be used to support the valve weight when being installed, nor can they be used for supporting the weight of the pipes.

3. INSTALLATION



It is important to observe the following warnings to avoid personal injuries or damage to property when handling and installing the valve:

- It is the User's responsibility to verify compatibility of valve parts materials with the internal fluid.
- Qualified and trained personnel must carry out the handling and maintenance of the valve.
- Use suitable Individual Protection Equipment (IPE) (gloves, safety footwear...).
- Disconnect all lines affecting the valve and put up a notice notifying that work is being carried out on the valve.
- Isolate the valve Completely from the process.
- Release process pressure.
- Drain the fluid from the valve.

Before installing the valve, inspect it to check that it has not suffered any damage during transit or storage.

Ensure that the body inside is clean, taking special care with the seat area. Also ensure that the neighbouring areas where the valve is to be installed are clean (flanges, pipes...).

As a uni-directional valve, it has to be installed in such a way that the PRESSURE pushes the disc towards the SEAT. These valves have an arrow riveted in the valve body indicating the direction of pressure. It is the user's responsibility to correctly install and direct the valve in relation to the direction of pressure.

It is useful to remember that the direction of flow does not necessarily coincide with the direction of pressure. SEE DRAWING MP8260A2 (DETAIL K)

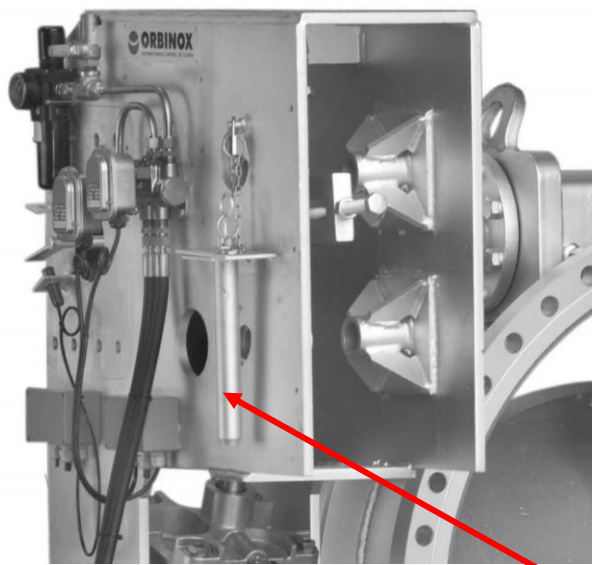
Special consideration should be given to keeping the correct distance between connection flanges and to ensuring that they are perfectly aligned and parallel.

The incorrect positioning of counter-flanges will cause strain on the valve body which could lead to operating problems.

The valve can be mounted in any position: horizontal, vertical or slanting, depending on the requirements of the installation. The operating shaft **MUST** be mounted in a horizontal position. In horizontal or slanting lines try to ensure that the shaft remains, not only horizontal, but also in the upper area.

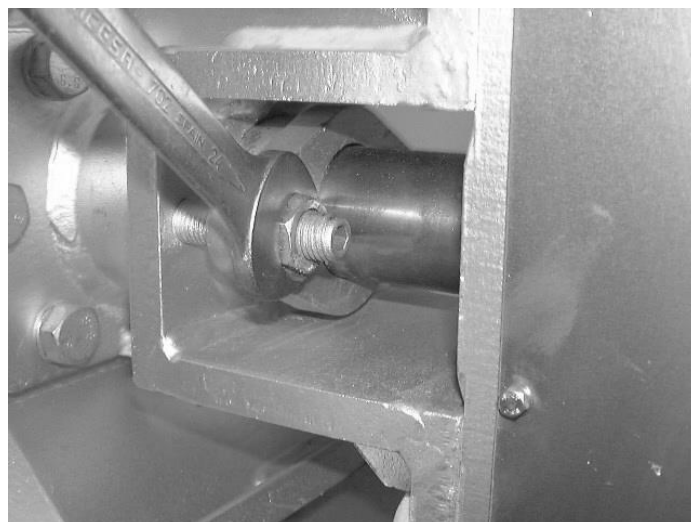
If the valve has electrical accessories such as electric-actuator, solenoid valves, limit switches, electropneumatic positioners, etc. the corresponding earthing connections must be made before putting it into operation.

In big valves (Diameters of 1000 mm or larger) ensure before handling the valve that the mechanical stop on the outside has left its seat and is positioned on the support plate.



Mechanical Stop

To check its operation and tightness, operate the valve with no load and then with load. It is worth remembering that during transit / storage of the valve, the packing might have settled thus causing a small leak. Once there is pressure inside the valve this leak could be checked by applying soapy water to the packing gland area. This can be remedied by gently tightening the packing gland until the mentioned leak is eliminated.



4. PNEUMATIC CYLINDER

4.1. Bevel Gear

This consists of a worm gear mechanism and the valve is shut off by making the wheel turn towards the right. The degree of the valve opening is shown on an indicator located in the gear casing cover.

4.2. Pneumatic

There are two possible types:

- A double-acting rotary cylinder or with a $\frac{1}{4}$ turn whose rotating shaft directly drives the valve stem.
- A pneumatic double-acting linear cylinder which operates an adjustable lever fastened to the valve stem. These cylinders are designed for working at a minimum instrument air pressure of 4 bar. In tight valves, these cylinders are sized to open the valve at a differential pressure equivalent to 0.1 bar and 0.3 bar in metal-metal valves. They are not intended for operating the valve when it is submitted to line operating pressure (for example 6 bar). In order to do so, the lever driven by the pneumatic cylinder has a regulating screw.

REGULATING SCREW IN THE LEVER (Drawing MP8260A2, section F):

This screw (32) is intended for providing the pneumatic cylinder with greater or lesser force depending on how it's operated. It is factory set ensuring that the cylinder with 4 bar of instrument air pressure is able to open the valve at a differential pressure of 0.1 bar or less in tight valves and at a pressure of 0.3 bar or less in metal-metal valves. As such, this screw should not be adjusted unless the aforementioned set points change, or the valve is disassembled at some time in the future.

Handling the regulating screw: firstly, the locknut that fastens the screw is loosened and secondly the abovementioned screw is moved so that by turning it anticlockwise the cylinder is supplied with more force, or, with the same result, the cylinder shaft is moved further away from the main shaft and vice versa.

It is recommended to have a replacement cylinder of each diameter or at least to have sets of replacement cylinder seals. Please refer to the pneumatic cylinder supplier's maintenance manual for changing the aforementioned seals.

4.3. Electric actuator

Specific supplier operating instructions will be enclosed in accordance with the type or make of electric actuator delivered.

5. MAINTENANCE



It is important to observe the following warnings to avoid personal injuries or damage to property when handling and installing the valve:

- Qualified and trained personnel must carry out the handling and maintenance of the valve.
- Use suitable Individual Protection Equipment (IPE) (gloves, safety footwear...).

- Disconnect all lines affecting the valve and put up a notice notifying that work is being carried out on the valve.
- Isolate the valve Completely from the process.
- Release process pressure.
- Drain the fluid from the valve.

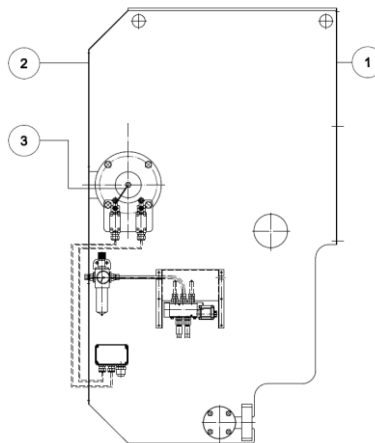
The MP valves do not require any maintenance other than the replacement of the packing and seals in the tight valves.

The service life of these watertight elements depends on the valve's operating conditions such as pressure, temperature, abrasion and the number of operations.

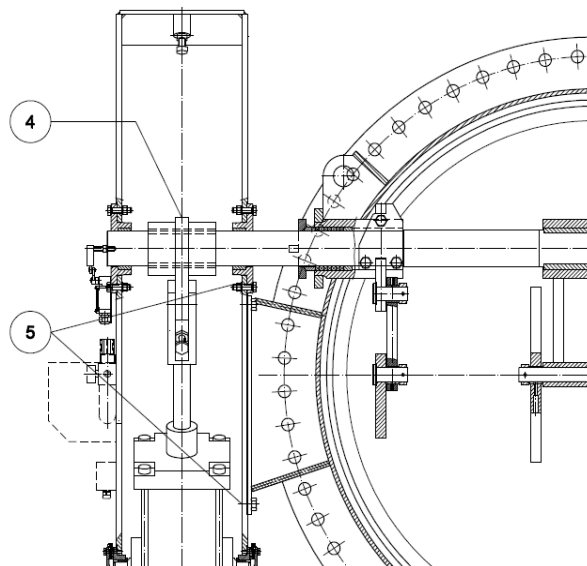
5.1. Replacement packing kit

The packing kit includes 2 lines of synthetic packing made of 98% pure carbon filaments (MG-420), at the head and bottom which are wrapped around pre-formed pure mineral graphite rings (grafoil).

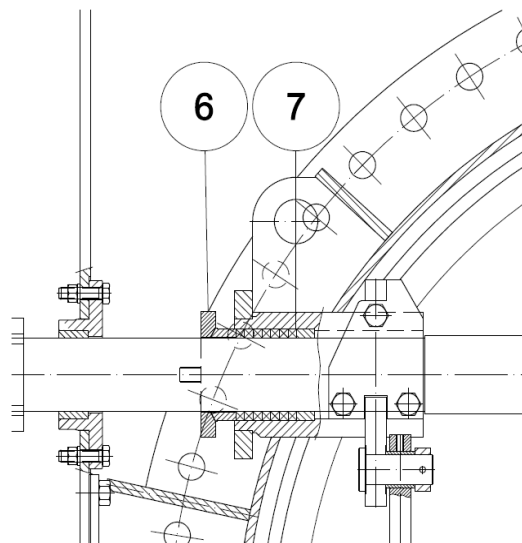
The circuit has to be depressurised before beginning any type of maintenance work.



1. Loosen the indication for the detectors or limit switches (3).
2. Loosen the guards on the support plate (2) and (3).
3. Take out the stud bolt (54) fastening the main lever (27) to the valve stem (7). If the nut has a welding point remove it to be able to remove the stud bolt easily.



4. Loosen the lever locking nut (4) and bolts and nuts (5) joining the main support plate to the valve body.
5. Due to its weight use a crane to remove the whole assembly, composed of the support plate, cylinder and main lever.



6. Remove the packing gland (6) completely and take out the packing (7) using a screwdriver and / or a packing extractor (ensure that nothing is left behind inside the groove).
7. Position the new packing fitting the bottom line (MG-420) and all the grafoil rings without fitting the head line. Position the packing gland (6) and tighten the above-mentioned assembly with a torque of 20 N·m.
8. Remove the packing gland (6) and fit the head line (MG-420). Put the packing gland back (6) and tighten until the whole assembly is tightened.
9. Position the assembly composed of the support plate, cylinder and main lever. Proceed in reverse order from the disassembly for the assembly of the mentioned assembly.

10. Carry out some operations with a loaded circuit and retighten the packing gland (6), only enough to prevent leaks. This check can be carried out using soapy water.

5.2. Replacement of the seal (only for tight valves)

The seal with reference HECKER AK-2749 is composed of aramid fibres impregnated with rubber on both sides and covered with a special material called centellen. This whole assembly is completed with a graphite coating. This seal is supplied as a closed ring.

1. Remove the valve from the pipe.
2. Open the valve and hold the disc open ensuring that it doesn't close.
3. Remove the old seal using a screwdriver and thoroughly clean the groove where the new seal is to be positioned. This groove has a dovetail-like design.
4. Position the new seal in the groove whilst supporting it over its entire perimeter

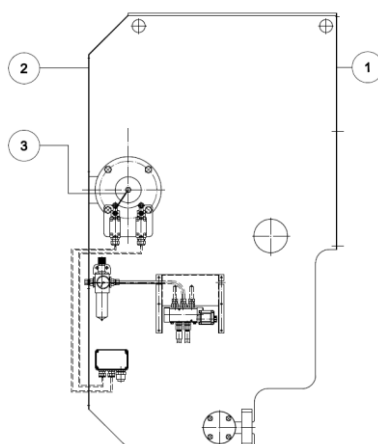


5. Carry out several operations since the disc, when moving, will end up homogeneously tightening the seal in its housing.

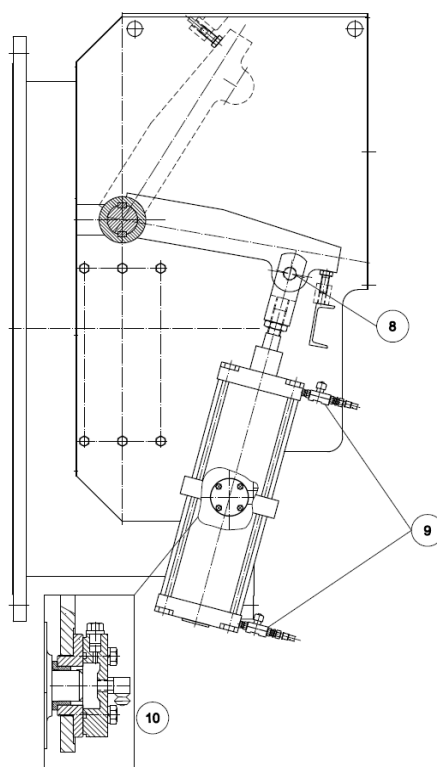
5.3. Replacement of the cylinder

The replacement of the cylinder in an MI valve can be carried out when the circuit is in operation. The time available for carrying out the replacement has to be kept in mind for proceeding before the next operation.

1. Shut off the air instruments valve to the pneumatic circuit.



2. Loosen the support plate (2) and (3) guards.



3. Remove the cylinder fork pin (8).
4. Dismount the pneumatic cylinder flow regulators (9).
5. Disassemble grease cover (10).
6. Move the cylinder fork towards the main valve stem and remove the cylinder from its housing.
7. Once the cylinder is dismounted remove its fork in order to position it in the new cylinder. When mounting the fork in the cylinder ensure that its machined part is kept towards the inside and not the outside.
8. For the assembly of the new cylinder work in reverse order from the disassembly.

5.4. Replacement of accessories

These valves are supplied with an air filter and pressure regulator. This pressure regulator is generally set to 4 bar.

Likewise, they include one-way flow regulators with a pneumatic pipe made of high-pressure flexible armoured rubber.

The supply includes double coil solenoid valves as well as proximity switches. It is recommended having spare parts for all these elements. Refer to the manufacturer's manual for maintenance advice regarding these items.

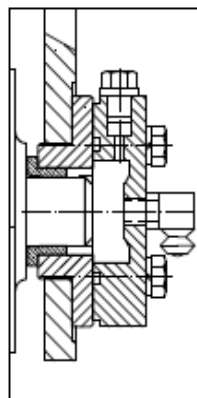
No specific instructions are required for replacing the accessories. The air instruments valve to the pneumatic circuit is shut off before being able to change the accessories.

5.5. Greasing

These valves are supplied with greasing boxes in the intermediate cylinder connection.

Grease these points every 6 months using calcic grease with the following characteristics: insoluble in water, low ash content and excellent adhesion.

It is recommended including greasing boxes in valves which do not have any of these greasing systems.



6. STORAGE

Except for the small sizes, these valves are individually packed.

After unloading, the valves must be stored in a well-aired location under shelter to protect them from dust, dirt and dampness.

If storage outside is unavoidable, keep the valve away from heat, direct sunlight or protect from the effects of rain by using a coating. Keep well-aired to avoid dampness.

7. ENVIRONMENTAL CONSIDERATIONS

The packaging is made from environmentally friendly materials. Dispose of the packaging through the available recycling channels

The valve is designed and manufactured with materials that can be recycled by specialised recycling firms. Once the life of the product is expired, you must consider a proper disposal of the product to prevent any negative impact on the environment and allows for the recycling of valuable commodities

Please follow the local environmental rules in your country for proper disposal

8. DOCUMENTATION

General Declaration of Conformity to the following Directives, if applicable, are available in the download section on Orbinox web page www.orbinox.com:

- 2006/42/CE: Machinery Directive
- 2014/68/EU: Pressure Equipment Directive for Category I

With specific order number:

- 2014/68/EU: Pressure Equipment Directive for Category II and III
- 2014/34/EU: Potentially Explosive Atmosphere (ATEX)

Contact Orbinox if these documents are required in other language than those available on the web page.

9. COMPONENTS LIST

55	BOLTS&NUTS	-	STEEL 8.8
54	STUD BOLT	1	STEEL 8.8
53	BOLTS&NUTS	-	STEEL 8.8
52	PIN	1	CARBON STEEL
51	O-RING	2	NITRILE
50	SIDE GUARDS	1	ALUMINIUM
49	LEVER GUARDS	1	ALUMINIUM
48	JUNCTION BOX	2	ALUMINIUM IP65
47	FILTERING UNIT	1	JOUCOMATIC 34203088 1/2" BSP
46	ACTUATOR	1	S275JR
45	SUPPORT	2	S275JR
44	PROXIMITY SWITCH	1	PEPPERL&FUCHS NCB5-18GM60-Z0
43	SOLENOID VALVE GUARDS	1	ALUMINIUM
42	SOLENOID VALVE 4/2 ASCO	1	WPXB344.82 MO 120V/50HZ
41	PNEUMATIC PIPE	-	AISI316
40	RACORDS&FITTINGS	-	AISI316
39	FLEXIBLE	2	PERBUNAN+NEOPRENE
38	FLOW REGULATOR	2	S-839 1/2" BRASS
37	PNEUMATIC CYLINDER	1	Ø160x300
36	GREASE NIPPLE	2	1/8"NPT
35	GREASING BOX	2	S275JR
34	BEARING	2	BRONZE
33	SUPPORT COVER	2	F-1110
32	REGULATING SCREW	1	STEEL 8.8
31	SUPPORT	2	S275JR
30	BEARING	1	GLACIER DU
29	SLIDER	1	F-1110
28	KEY	1	DIN-6885 F-1140
27	OUTSIDE LEVER	1	S275JR
26	ACTUATOR SUPPORT	1	S275JR
25	BEARING	1	SELFOIL
24	STEM SUPPORT	1	S275JR
23	GLAND PLATE	1	S275JR
22	PACKING GLAND	1	AISI304
21	PACKING KIT	-	GRAFOIL+MG-420-I
20	EXTENSION COVER	1	HII-DIN 1.0425
19	GASKET	2	BELPA
18	COVER	1	HII-DIN 1.0425
17	STOP	1	AISI420
16	COLLAR	5	AISI420
15	ROLL PIN	4	AISI420
14	BEARING	6	DEVA HNiCuFe
13	ROTATING LEVER	2	HII-DIN 1.0425
12	SUPPORT LEVER STEM	2	AISI420
11	LEVER SUPPORT	2	HII-DIN 1.0425
10	SOCKET	2	AISI420
9	BEARING	2	DEVA HNiCuFe
8	KEY	2	DIN-6885 AISI420
7	STEM	1	AISI420
6	LEVER	1	HII-DIN 1.0425
5	ROLL PIN	1	AISI420
4	DISC	1	HII-DIN 1.0425+INOX
3	SUPPORT	1	S275JR
2	SEAL	1	HECKER AK2749
1	BODY	1	HII-DIN 1.0425

